

Stock Clamshells with a Common Mold Base

These images demonstrate clamshells with the same Overall Outside Dimensions, but with variations in the associated cavity and insert card dimensions.

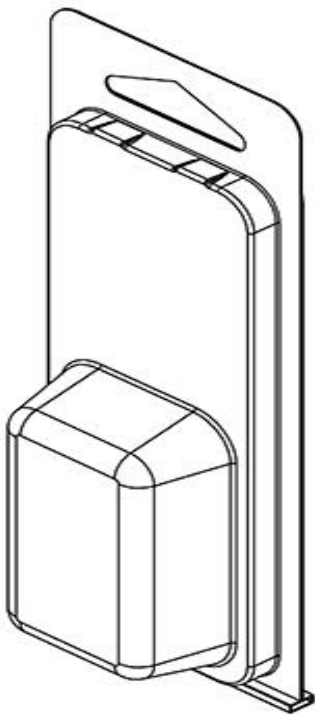
Series 91 - 92

Overall Length = 6.000"

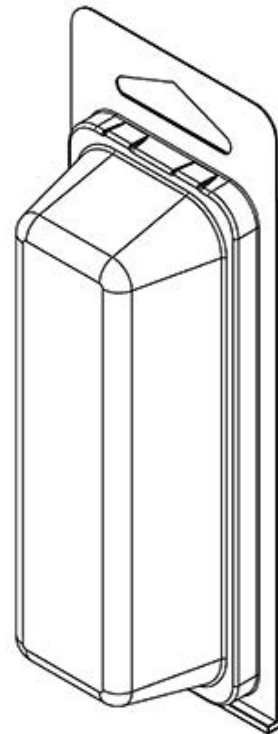
Overall Width = 2.312"

The stock clamshells on this page
are made from Mold Base #90

Drawings for concept only. For actual size, see full technical drawings under part details on the VisiPak Ecommerce website.



91TF



92TF