

Stock Clamshells with a Common Mold Base

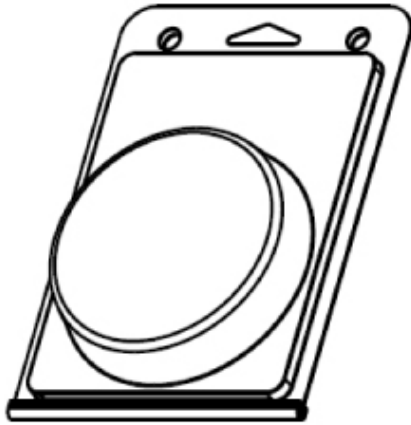
These images demonstrate clamshells with the same Overall Outside Dimensions, but with variations in the associated cavity and insert card dimensions.

Series 276 - 279

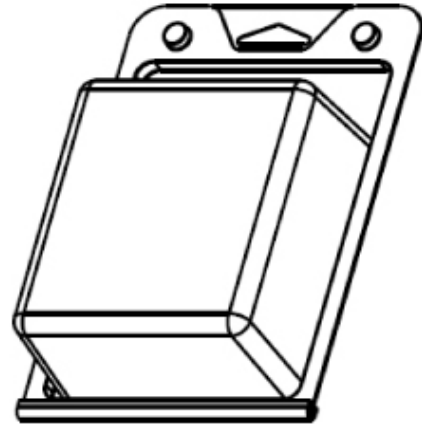
Overall Length = 6.875"

Overall Width = 4.875"

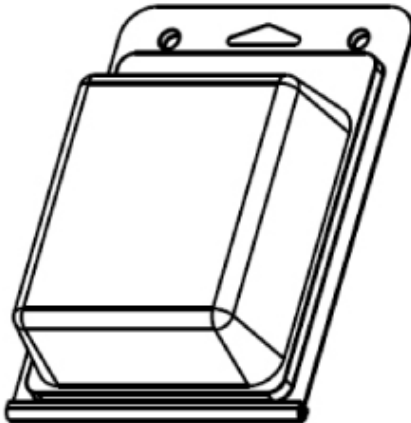
The stock clamshells on this page are made from Mold Base #275



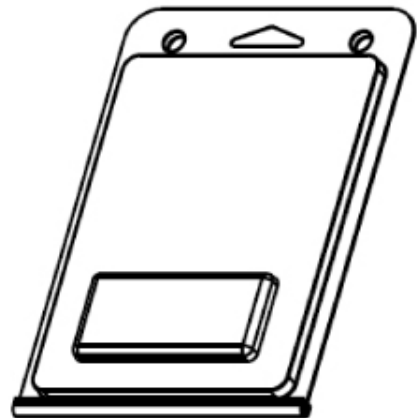
276TF



277TF (S)



278TF



279TF

Stock Clamshells with a Common Mold Base

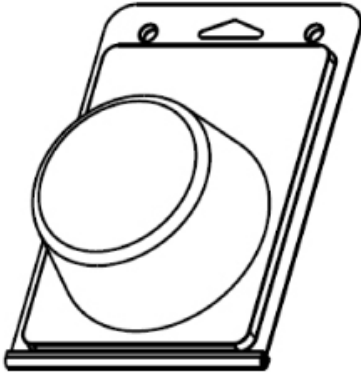
These images demonstrate clamshells with the same Overall Outside Dimensions, but with variations in the associated cavity and insert card dimensions.

Series 281 - 287

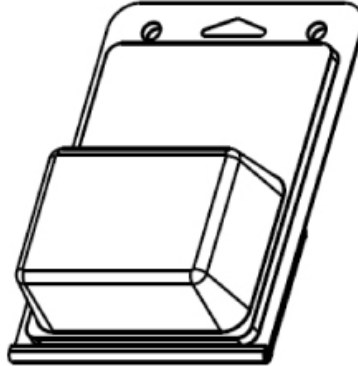
Overall Length = 6.875"

Overall Width = 4.875"

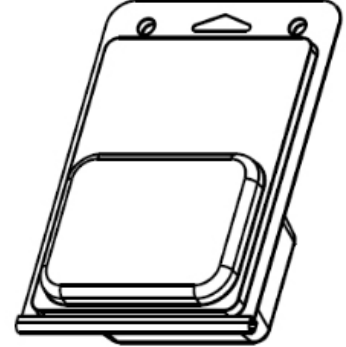
The stock clamshells on this page
are made from Mold Base #275



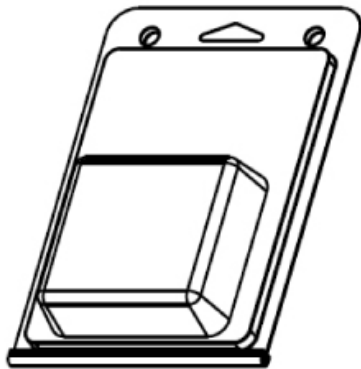
281TF



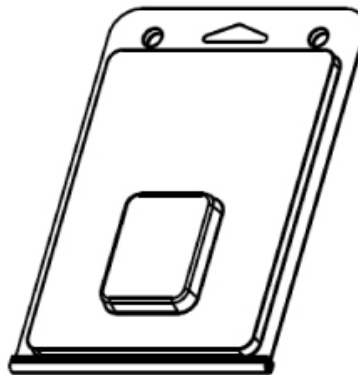
282TF (S)



283TF (S)



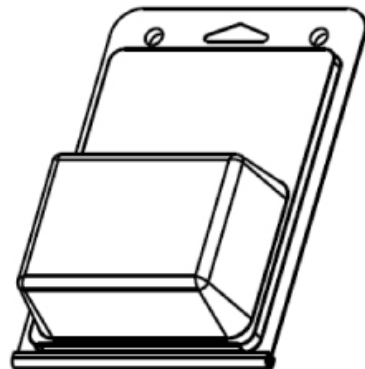
284TF



285TF



286TF



287TF